

FLAT BOTTOM LEVEL CONVEYORS

Head Features:

- Computer aided modular bolt together design
- CNC manufactured
- 10-8-5 gauge standard galvanized construction
- Heavy duty pillow block bearings
- Heavy duty drive sprocket
- Removable inspection cover
- Dust seals

Trough features:

- Computer aided modular bolt together design
- CNC manufactured
- 10 gauge galvanized sides
- 10-8-5 gauge galvanized bottoms available
- UHMW return rollers
- Pre-assembled trunk sections
- Optional abrasion resistant steel liners for bottom and sides

Tail Features:

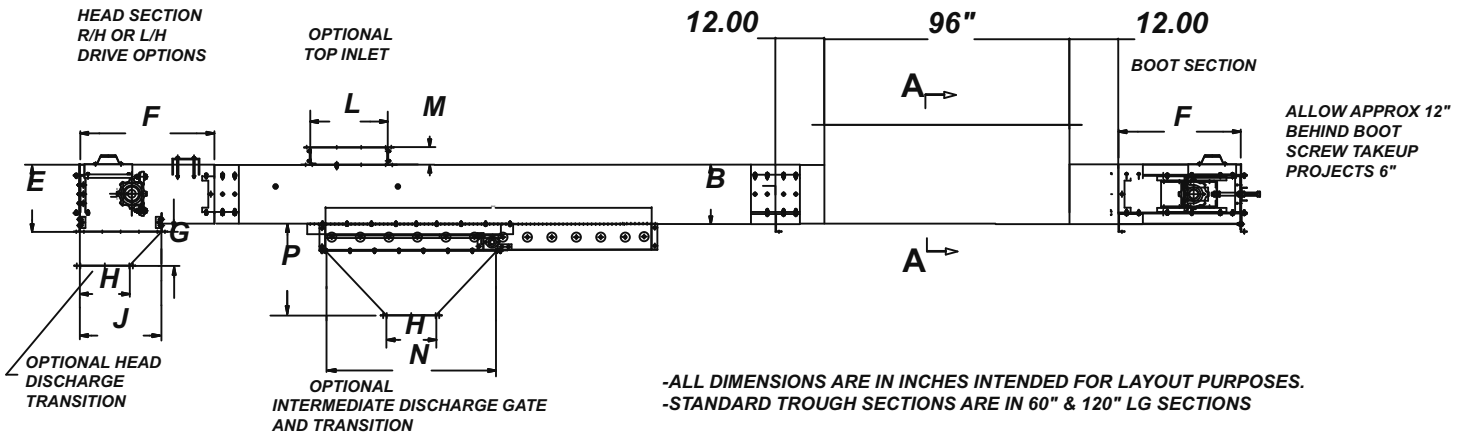
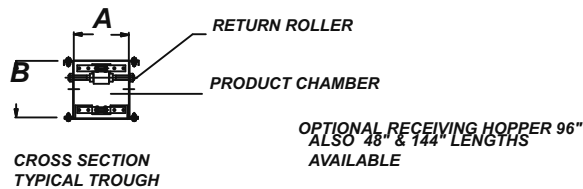
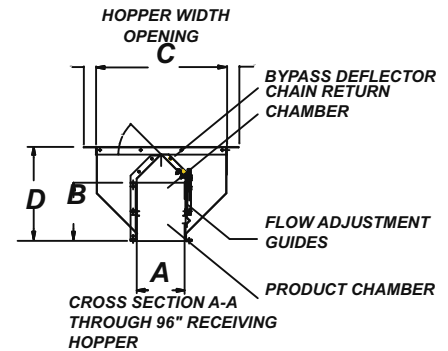
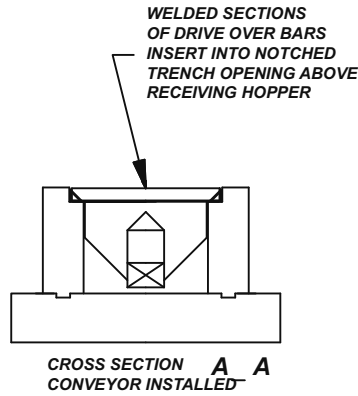
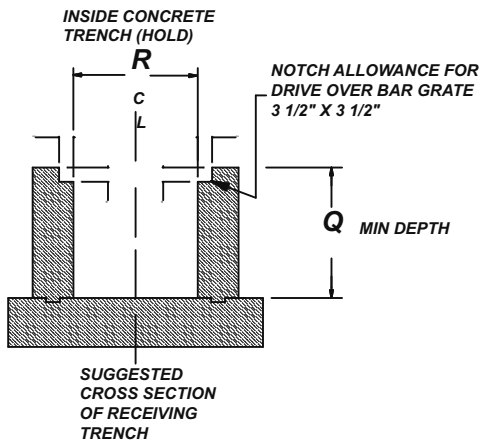
- Computer aided modular bolt together design
- CNC Manufactured
- 10-8-5 gauge standard galvanized construction
- Heavy duty pillow block bearings
- Heavy duty sprocket
- Acme screw slack adjusters
- Removable inspection covers
- Dust seals

FLAT BOTTOM LEVEL CONVEYORS



BPH	Drag Size	RPM	FPM
1,000	GLD-09X9-37	37	64
1,500	GLD-09X9-55	55	95
2,000	GLD-09X9-74	74	128
2,500	GLD-09X9-92	92	160
3,000	GLD-09X9-109	109	189
3,000	GLD-09X17-31	31	95
3,000	GLD-13X11-49	49	106
4,000	GLD-13X11-65	65	141
5,000	GLD-13X11-81	81	176
4,000	GLD-09X17-41	41	126
5,000	GLD-09X17-51	51	158
6,000	GLD-09X17-61	61	189
6,000	GLD-12X17-46	46	142
7,000	GLD-12X17-54	54	165
8,000	GLD-12X17-61	61	189
8,000	GLD-16X17-46	46	145
9,000	GLD-16X17-52	52	160
10,000	GLD-16X17-57	57	177
10,000	GLD-16X20-38	38	181
13,000	GLD-16X20-50	50	174
14,000	GLD-16X20-54	54	188
15,000	GLD-16X20-58	58	202
11,000	GLD-16X20-42	42	146
12,000	GLD-16X20-46	46	160
15,000	GLD-20X20-47	47	193
16,000	GLD-20X20-50	50	174
17,000	GLD-20X20-53	53	184
18,000	GLD-20X20-56	56	195
19,000	GLD-20X20-59	59	205

	9X9	9X17	12X17	13X11	16X17	16X20	20X20
A	9	9	12	13	16	16	20
B	9	17	17	11	17	20	20
C	30 ⁷ / ₈	30 ⁷ / ₈	30 ⁷ / ₈	30 ⁷ / ₈	30 ⁷ / ₈	30 ⁷ / ₈	30 ⁷ / ₈
D	25 ¹ / ₂	25 ¹ / ₂	27	25 ¹ / ₂	27	30	30
E	9 ¹ / ₄	17 ¹ / ₄	17 ¹ / ₄	15 ¹ / ₄	17 ¹ / ₄	20 ¹ / ₄	20 ¹ / ₄
F	24	30	30	24	30	36	36
G	9	8	8	6	8	8	8
H	9	12	12	10	16	20	20
J	16	20	20	16	20	24	24
L	19	19	19	20	19	19	19
M	3 ¹ / ₂	3 ¹ / ₂	3 ¹ / ₂	3 ¹ / ₂	3 ¹ / ₂	3 ¹ / ₂	3 ¹ / ₂
N	36	36	36	36	36	36	36
P	13 ¹ / ₂	13 ¹ / ₂	13 ¹ / ₂	14 ¹ / ₂	11 ¹ / ₂	11 ¹ / ₂	11 ¹ / ₂
Q	29	29	30 ¹ / ₂	NA	30 ¹ / ₂	33 ¹ / ₂	33 ¹ / ₂
R	31	31	31	NA	31	31	31



-ALL DIMENSIONS ARE IN INCHES INTENDED FOR LAYOUT PURPOSES.
 -STANDARD TROUGH SECTIONS ARE IN 60" & 120" LG SECTIONS